

NOVATO FIRE PROTECTION DISTRICT FIRE LOSS MANAGEMENT DIVISION



Developed by *Forrest M. Craig*
Forrest M. Craig, Fire Marshal
Approved by *Jeffrey A. Weston*
Jeffrey A. Weston, Fire Chief

Fire Protection Standard 211-30A

ALTERNATE RESIDENTIAL DRIVEWAY HAMMERHEAD TURNAROUND

Date: 2/26/01

Revision: _____

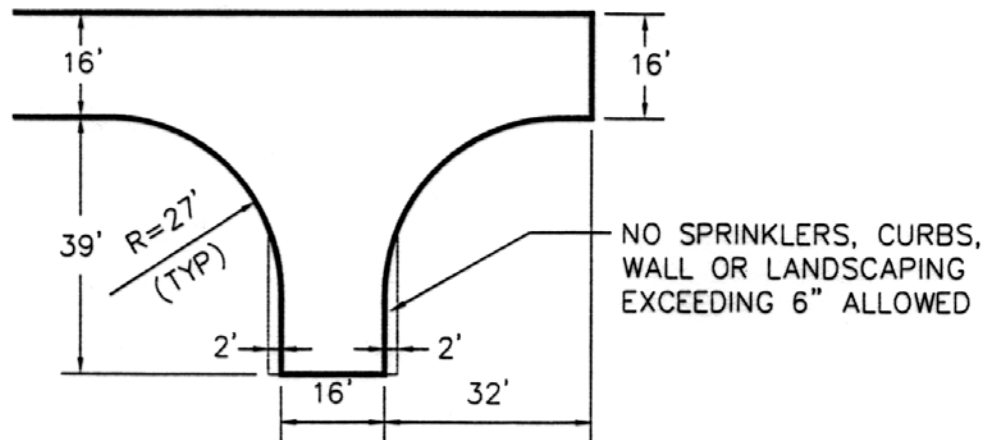
Page: 1 of 1

This Standard has been developed pursuant to Article 9 of the Uniform Fire Code and Novato Fire Protection District Ordinance 99-1. The purpose of the standard is to provide specific criteria and dimensions in designing fire apparatus turn around for commercial and residential developments.

Alternate Residential Driveway Standard

6181

Scale 1" = 30'



DO NOT PHOTOCOPY

SCALED ENGINEERED TEMPLATE